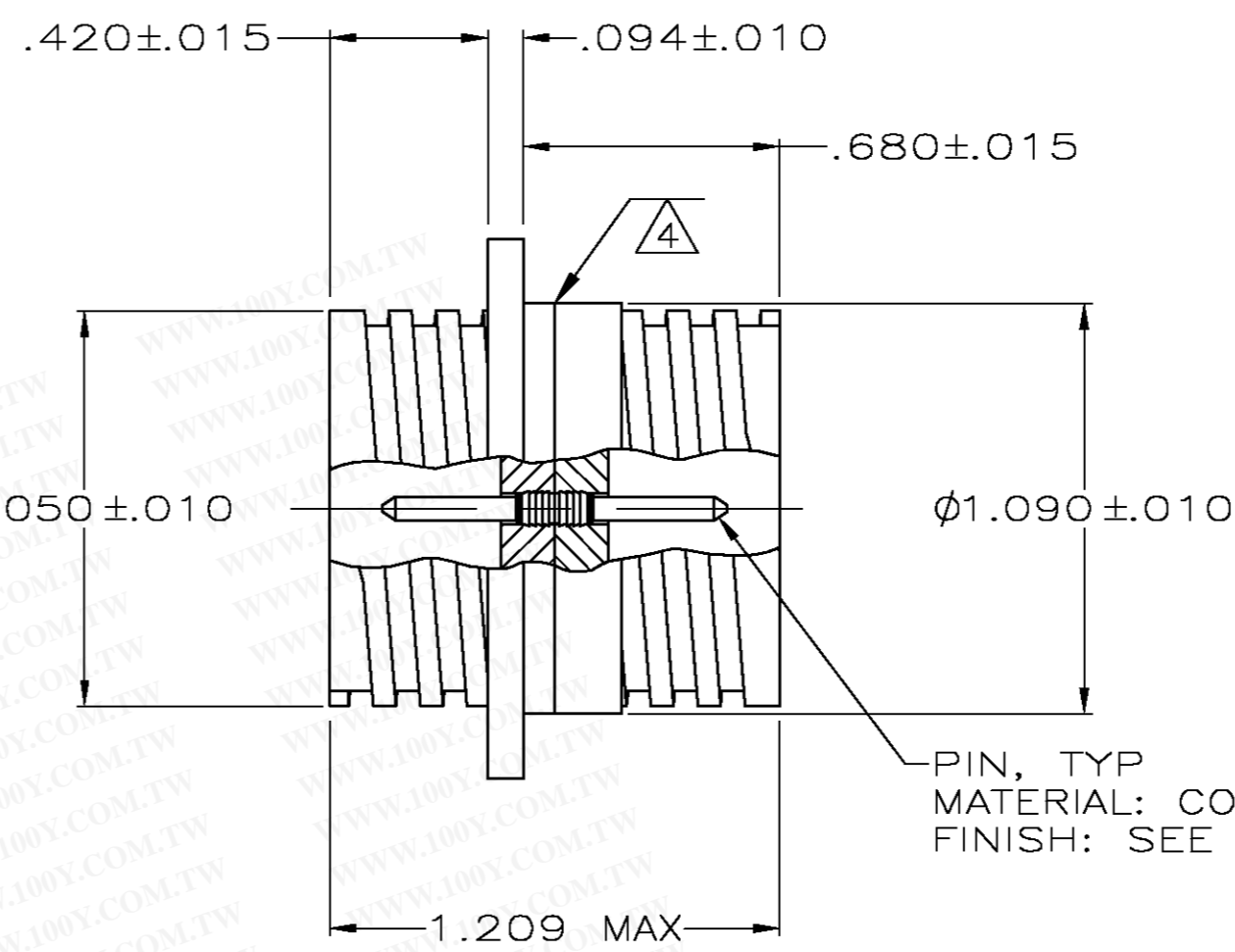
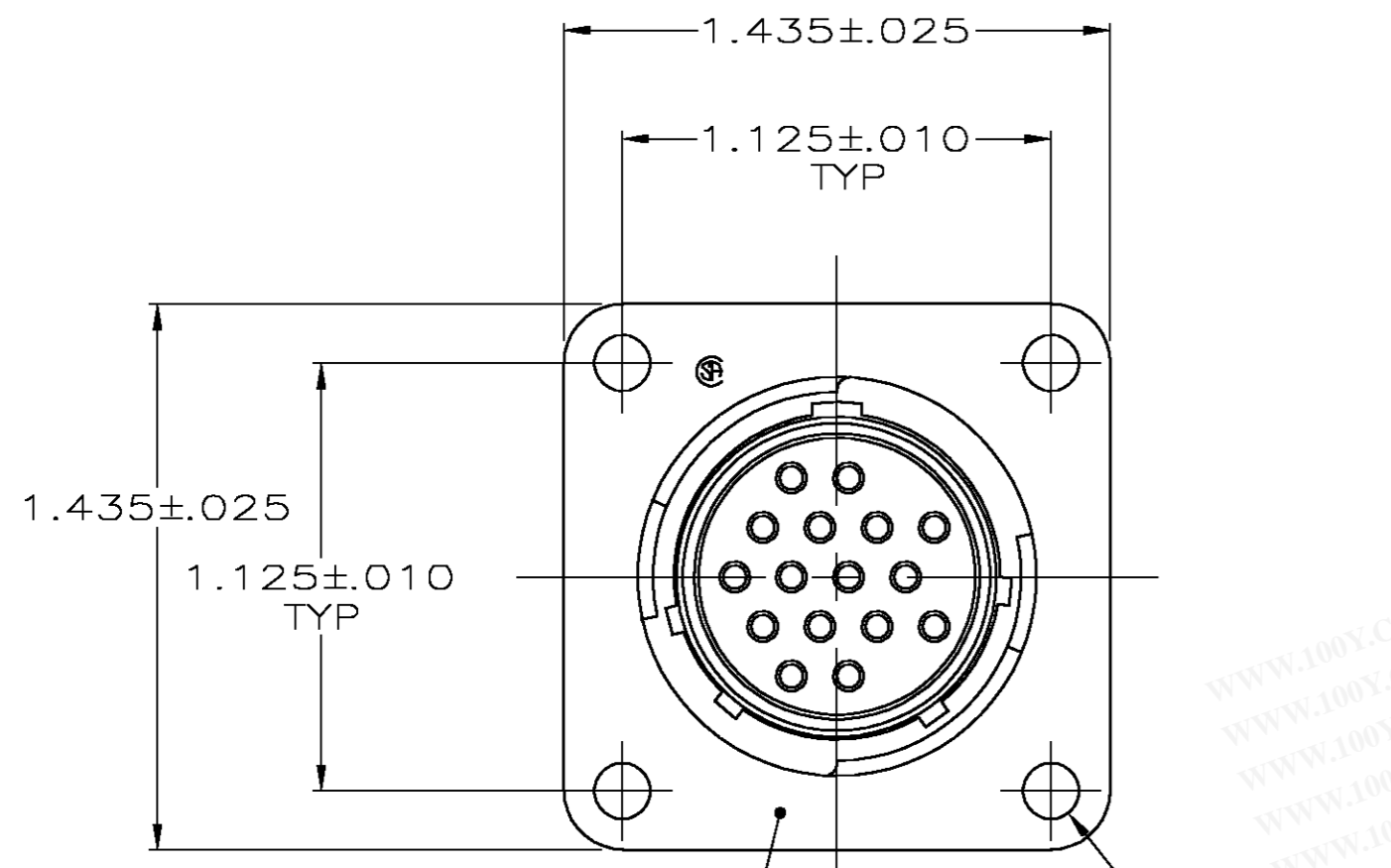


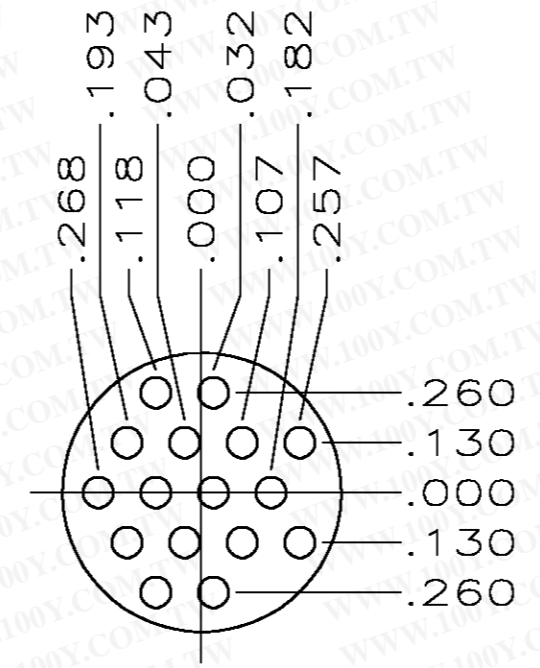
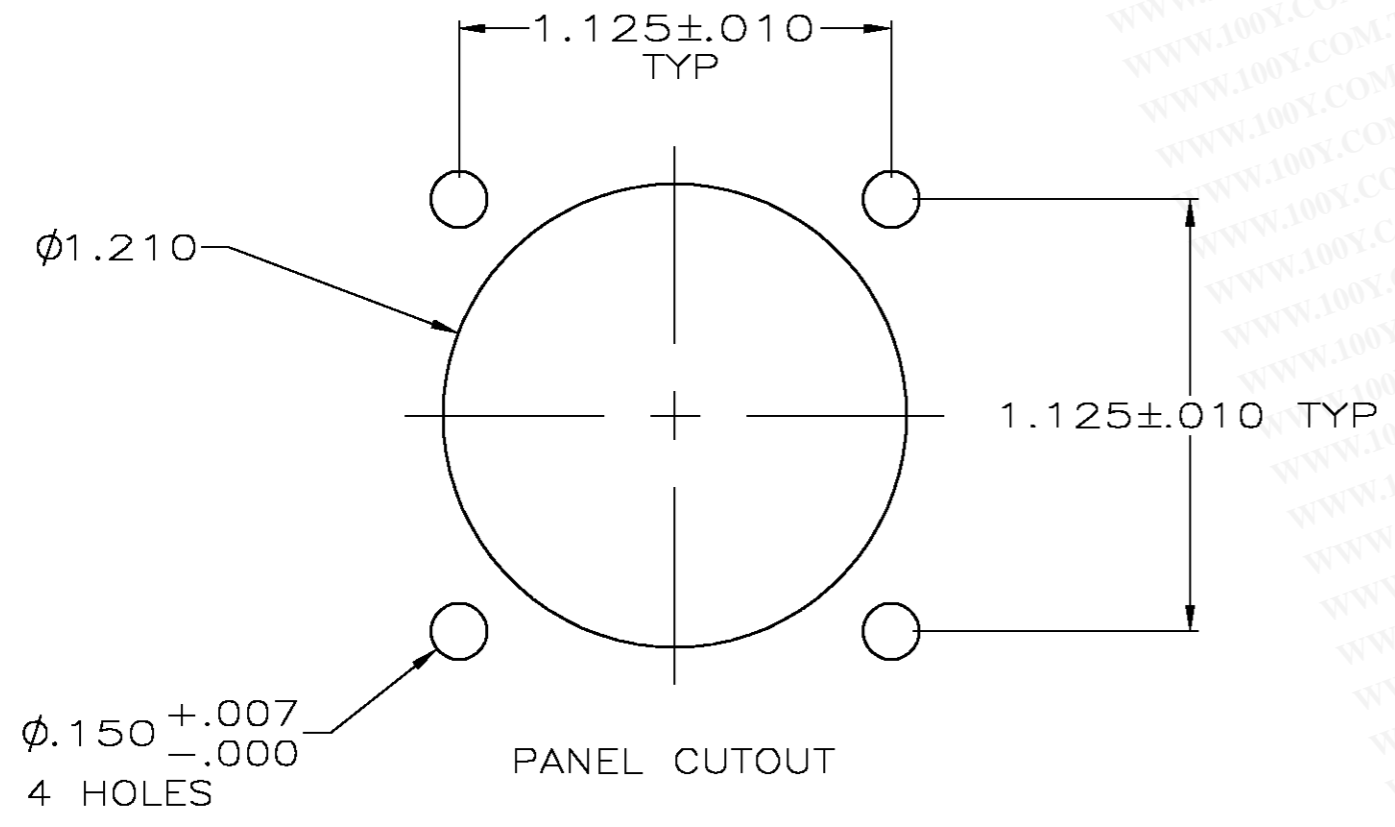
THIS DRAWING IS UNPUBLISHED. RELEASED FOR PUBLICATION
 © COPYRIGHT BY TYCO ELECTRONICS CORPORATION. ALL RIGHTS RESERVED.

LOC		DIST		REVISIONS			
P	LTR	DESCRIPTION	DATE	DWN	APVD		
FT	0						
G		REVISED PER 0G3B-0548-04	6/22/04	SS	SH		



勝特力材料 886-3-5753170
 勝特力电子(上海) 86-21-34970699
 勝特力电子(深圳) 86-755-83298787
[Http://www.100y.com.tw](http://www.100y.com.tw)

PIN, TYP
 MATERIAL: COPPER ALLOY
 FINISH: SEE TABLE



勝特力材料 886-3-5753170
 勝特力电子(上海) 86-21-34970699
 勝特力电子(深圳) 86-755-83298787
[Http://www.100y.com.tw](http://www.100y.com.tw)

- NOTES:
- ① GOLD OVER NICKEL PLATED
 - ② TIN PLATED.
 - 3. CONNECTORS ARE FULLY LOADED WITH 16 SIZE 16 PIN CONTACTS PERMANENTLY INSTALLED.
 - ④ .012 MAXIMUM GAP PERMISSIBLE BETWEEN CONNECTOR HALVES.

OBSOLETE	②	206552-2
	①	206552-1
CONTACT FINISH		PART NUMBER

THIS DRAWING IS A CONTROLLED DOCUMENT.		DWN	5-22-91	Tyco Electronics Corporation	
DIMENSIONS: INCHES		CHK	4-13-92	Harrisburg, Pa 17105-3608	
TOLERANCES UNLESS OTHERWISE SPECIFIED:		W.G.LENKER		NAME	
0 PLC ± -		APVD -		RECEPTACLE ASSEMBLY, FEED THRU, SERIES 1, 17-16, CPC	
1 PLC ± -		PRODUCT SPEC		SIZE	
2 PLC ± -		108-10024		CAGE CODE	
3 PLC ± .005		APPLICATION SPEC		DRAWING NO	
4 PLC ± -		WEIGHT -		RESTRICTED TO	
ANGLES ± -		SCALE		SHEET	
FINISH		A2 00779		1 OF 1	
RCPT: THERMOPLASTIC		C=206552		REV	
SEE TABLE		CUSTOMER DRAWING		G	